

# LASSO BEAM - S3 DIRECT, INDIRECT, and IND./DIRECT (PATTERNS)

PAL Architectural Lighting introduces the new LASSO BEAM - S3. The BEAM - S3 profile allows you the ability to form myriad shapes and patterns - from simple curved corners to the most complex configurations. In addition, the BEAM - S3 is available in Direct-only, Indirect-only, and Indirect/Direct configurations.

At only 2.795" in width, the LASSO BEAM - S3 is a sleek, compact form that creates a minimal spatial footprint, while at the same time creating a striking architectural statement.

Shown with optional  
Curved End Plate



Type:

Project Name:

Catalog Number:

## SPECIFICATIONS

### Housing

Constructed of extruded aluminum and available in various curve-shape lit fixtures, as well as single straight sections of nominal 2', 3', 4', 5', 6', 7' and 8' long. In combination, custom fixture patterns are available.

### Lens/Diffusers - Indirect

(FAL) Frosted acrylic snap-in lens, with magnetic retention location locks.

(PL) Heavy-duty polycarbonate snap-in lens, with magnetic retention location locks. Lens is IK08 rated for impacts.

### Lens/Diffusers - Direct

(FAL) Frosted acrylic snap-in lens, with magnetic retention location locks.

(PL) Heavy-duty polycarbonate snap-in lens, with magnetic retention location locks. Lens is IK08 rated for impacts.

### Finish

Standard housing finish is textured matte white or textured matte black. Custom colors are also available.

### Gear Tray/LED Module

Removeable gear tray is constructed of solid aluminum, has LED module attached and is designed for quick and simple 'single person' installation or removal.

### Color Temperatures/CRI

LED light sources are available for the following Co-ordinated Color Temperatures (CCT):

**Standard:** 3000K, 3500K, 4000K, & 5000K

**Tunable White:** Variable CCT range from 2700K thru 6500K.

**RGBW:** (Red, Green, Blue, White) color-changing logic module is rated at 90+ CRI and is available in standard High Output and Medium Output.

Contact factory for available custom outputs.

**Color Rendering Index (CRI):** Standard: 90  
Optional: 80

### Warranty

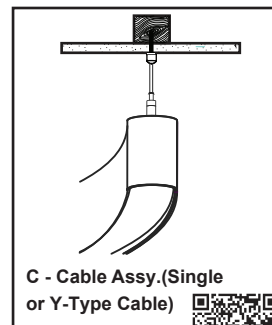
10-year limited warranty. No other warranty is expressed or implied. Complete warranty terms can be accessed by visiting:

<https://pal-lighting.com/company/warranty>

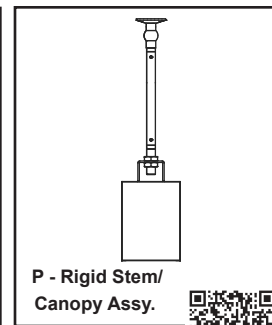
### Certifications

Fixtures are UL listed for use in 'Dry or Damp Applications'. Fixtures are CE listed for the European market. Fixtures also carry an EMC rating (electromagnetic compatibility). IP20 rated.

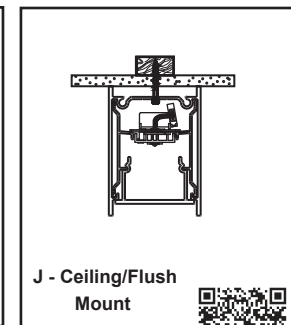
### Mountings



\*Link to Cable Instructions



\*Link to Stem Instructions



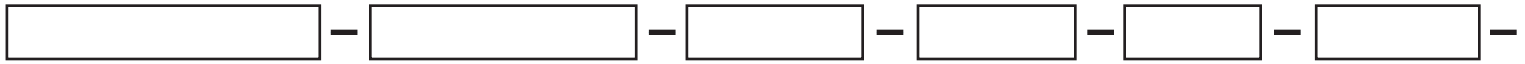
\*Link to Ceiling Mount Instructions



### ORDERING GUIDE



Series	Standard Outputs	Color Temp. (CCT)	Color Render	Straight Fixtures	Custom Shape Pattern
LB3-D LASSO BEAM - S3 DIRECT	<b>Standard Outputs:</b> <b>Direct-Only or Indirect-Only:</b>	<b>Standard:</b> K30 3000 Kelvin K35 3500 Kelvin K40 4000 Kelvin K50 5000 Kelvin	90 90 CRI (Standard) 80 80 CRI (Optional)	<b>Nominal Lengths:</b> 2' 5' 3' 6' 4' 7' 8'	<b>Describe Pattern:</b> _____ _____ _____ <b>Example:</b> Hexagonal pattern with 3' long sides.
LB3-I LASSO BEAM - S3 INDIRECT	<b>HO</b> High Output 875 Lms/Ft <b>MO</b> Medium Output 475 Lms/Ft	<b>Optional:</b> TW 2700K thru 6500K (Tunable White) RGBW Red/Green/Blue/White (Color Changing)			
LB3-I/D LASSO BEAM - S3 INDIRECT/DIRECT	<b>CO</b> _____ **Custom Output <b>Indirect/Direct:</b> <b>HO/HO</b> High Output - (Up/Dn) 1750 Lms/Ft (Combined) <b>MO/MO</b> Medium Output - (Up/Dn) 950 Lms/Ft (Combined) <b>CO/CO</b> _____ **Custom Output  *Maximum to Minimum Outputs Available: See Note #7 below				

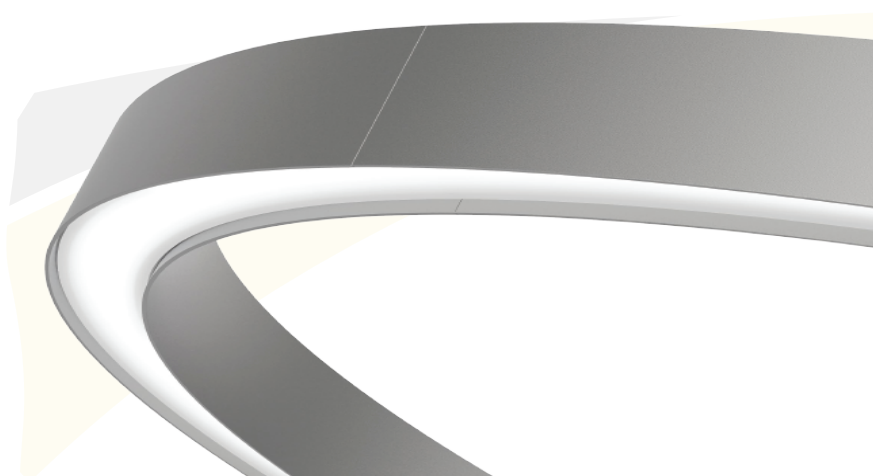


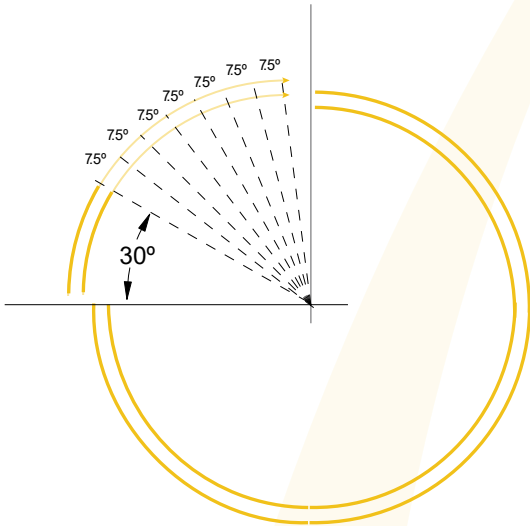
Curve-Shape Fixtures	Standard Connectors	Mounting	Lenses-Indirect	Lenses-Direct	Housing Color
<b>48R (48" Radius):</b> 48R/90 90 Deg Bend 48R/60 60 Deg Bend 48R/45 45 Deg Bend 48R/30 30 Deg Bend	<b>Y-Shape Bend Connectors:</b> Y-48R/45 48" Radius w/ 45 Deg Bend Y-33R/45 33" Radius w/ 45 Deg Bend Y-17R/45 17" Radius w/ 45 Deg Bend	<b>C</b> Cable : Single Cable <b>CY</b> Cable : Y-Type Split Cable <b>P</b> Rigid Stem/Canopy Assembly <b>J</b> Ceiling/Flush Mount	<b>FAL</b> Frosted Acrylic Lens <b>PL</b> Polycarbonate Lens	<b>FAL</b> Frosted Acrylic Lens <b>PL</b> Polycarbonate Lens	<b>F01M</b> Textured Matte White (Std.) <b>F11M</b> Textured Matte Black (Std.) <b>FCC</b> Custom Color - RAL Color # _____
<b>33R (33" Radius):</b> 33R/90 90 Deg Bend 33R/60 60 Deg Bend 33R/45 45 Deg Bend 33R/30 30 Deg Bend	<b>V-Shape Bend Connectors:</b> V-48R/45 48" Radius w/ 45 Deg Bend V-33R/45 33" Radius w/ 45 Deg Bend V-17R/45 17" Radius w/ 45 Deg Bend				
<b>17R (17" Radius):</b> 17R/90 90 Deg Bend 17R/60 60 Deg Bend 17R/45 45 Deg Bend 17R/30 30 Deg Bend					



End Caps	Voltage	Drivers - Dimming	Drivers - Tun. White / RGBW	Sensor Options	EM Options	Control Options
<b>FE</b> Flat End Cap	<b>UNV</b> Universal Voltage (120 thru 277V)	<b>DIM10</b> Dimming 100% -10% <b>DIM5</b> Dimming 100% -5% <b>DIM1</b> Dimming 100% -1% <b>DIM0</b> Dimming 100% -0%	<b>TW</b> DALI protocol driver - Tunable White Color Tuning <b>RGBW</b> DMX protocol driver - RGBW Red/Green/Blue/White Color Tuning	<b>OCC</b> Occupancy/ Motion Sensor <b>DS</b> Daylight/ Photocell Sensor	<b>EBPH</b> Emergency Battery Pack	<b>0-10V</b> 0-10V protocol <b>DALI</b> DALI protocol (Tunable White) <b>DMX</b> DMX protocol (RGBW) <b>CASAMBI</b> Casambi protocol wireless control system

- Notes:**
- All fixtures are factory pre-wired for a single circuit. Provisions for multiple switching/circuiting is optional.
  - Straight fixtures and 48R (48" Radius) arc segments contain integral drivers. Arc segments below 48R have remote drivers.
  - Standard power supply (driver) is UL recognized, and is available with 0-10V dimming capability as well as 120 thru 277 universal voltage.
  - Tunable White power supply (driver) is UL recognized, and is compatible with DALI control protocols.
  - RGBW power supply (driver) is UL recognized, and is compatible with DMX control protocols.
  - LASSO Beam - S3 fixture is IP20 rated - for indoor use only.
  - Maximum to Minimum Outputs Available:  
**Direct-only or Indirect-only:**  
Using 90+ CRI Driver: 198 Lms/Ft thru 1219 Lms/Ft  
Using 80+ CRI Driver: 381 Lms/Ft thru 1265 Lms/Ft  
**Indirect/Direct: (Total of Up and Down Apertures)**  
Using 90+ CRI Driver: 396 Lms/Ft thru 2438 Lms/Ft  
Using 80+ CRI Driver: 762 Lms/Ft thru 2530 Lms/Ft

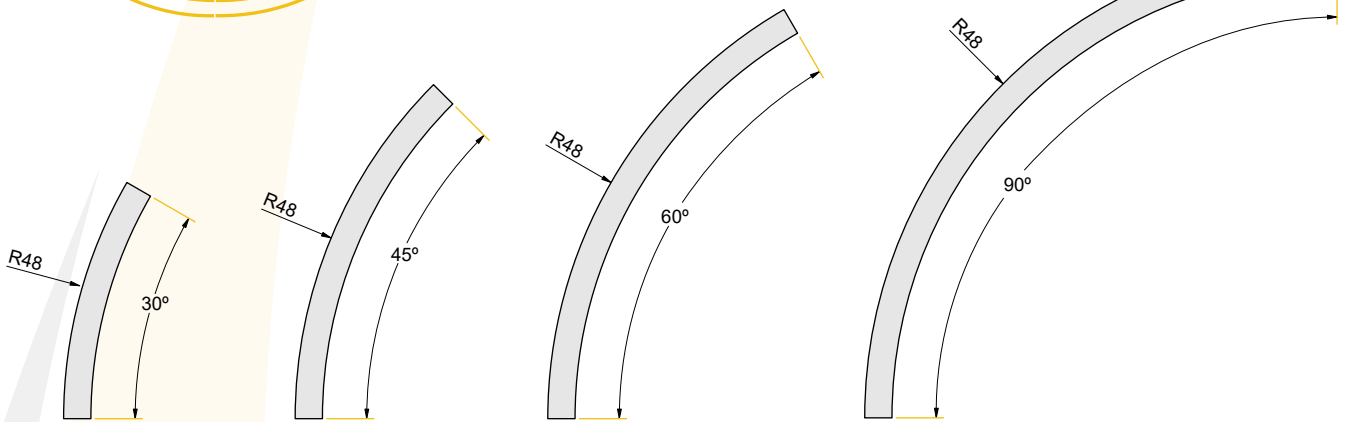




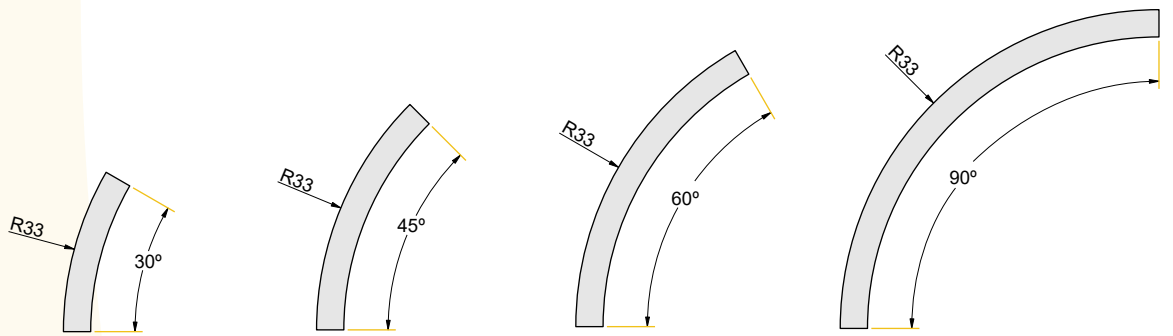
Minimum 30° segment, then each segment can be increased in 7.5° increments. Arc segments below 48R have remote drivers.

# LASSO BEAM - S3

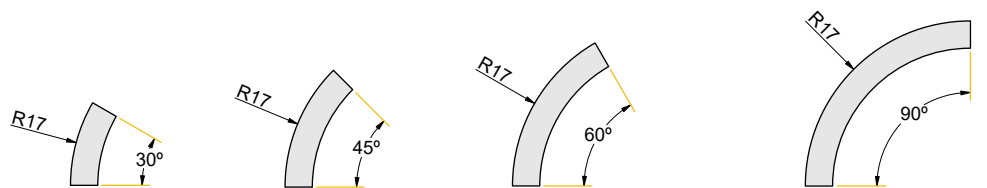
## Standard Bend Options



48R (48" Radius)



33R (33" Radius)

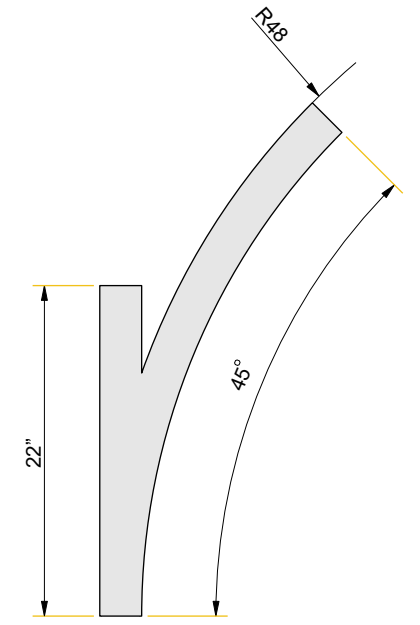
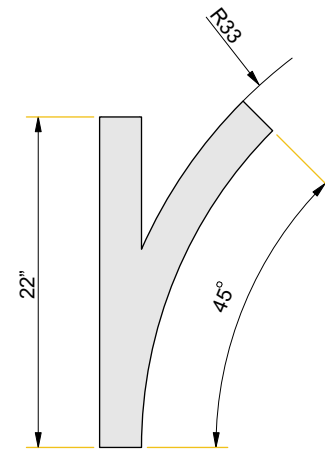
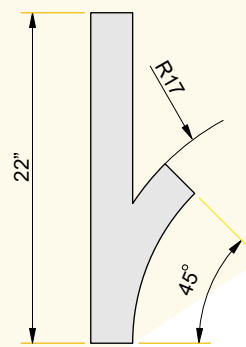


17R (17" Radius)

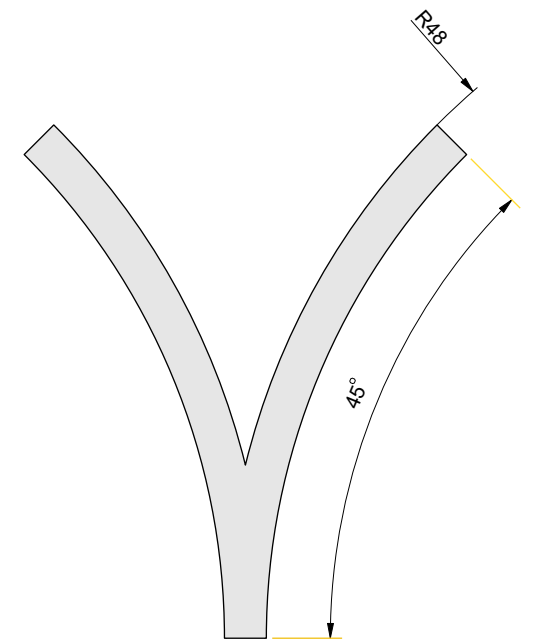
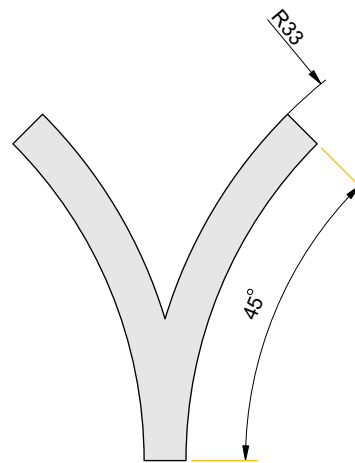
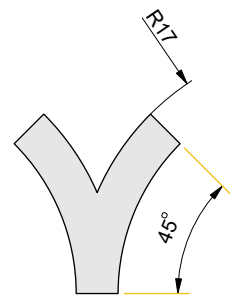
\*Other custom radii available on request

All radii bends can have integral drivers provided they adjoin a straight section or are ≥ 48R

## LASSO BEAM - S3 Standard Connections



**Y Bends**



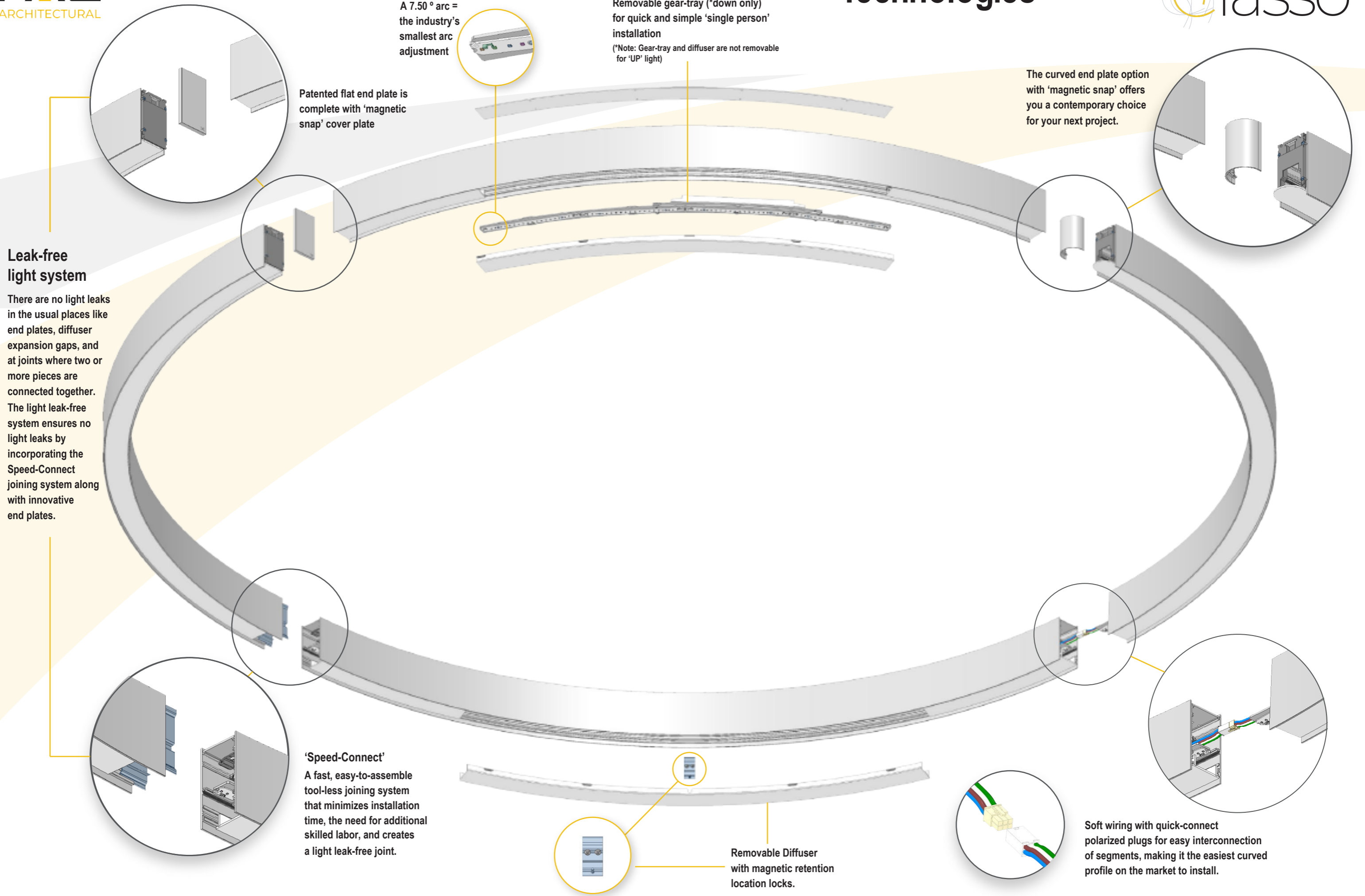
**V Bends**

\*Other options available upon request.

# Data Table



LASSO BEAM - S3				
LED Engine	4ft Length	Luminous Flux (Standard) (Delivered Lumens)	LO 1900	HO 3500
	Standard	CRI		90+
Lumen Maint / Max-Min Outputs			82,000 Hours ( L80 B10 @ 35° ) / DIRECT: 198 thru 1219 Lms/Ft IND/DIRECT: 396 thru 2438 Lms/Ft	
Lower CRI	CRI		80+	
	Lumen Maint / Max-Min Outputs		114,000 Hours ( L90 B10 @ 50° ) / DIRECT: 381 thru 1265 Lms/Ft IND/DIRECT: 762 thru 2530 Lms/Ft	
Warranty (Drivers)	Standard CRI (90+)		10 Years	
	Lower CRI (80+)		10 Years	
Electrical	Power Consumption		Between 6 and 14 W/Ft	
	Voltage input range		120 – 277V (UNV)	
	Controls		0-10 volts / Dali Control Gear / DMX / Dimmer switch / Constant light output / Motion sensor / Ripple free / Bluetooth mesh / Casambi control wireless system	
	Total harmonic distortion THD		9.8% max	
	Approvals / Certifications		UL / CE	
Physical	Dimensions		2.795" Wide X 5.118" High	
	Weight per Foot		3.09 lbs - average weight	
	Housing		Aluminium extrusion / powder-coated finish only	
	Diffuser - Upper Aperture		Frosted Acrylic Lens / Polycarbonate Lens	
	Diffuser - Lower Aperture		Frosted Acrylic Lens / Polycarbonate Lens	
	Accessories		Various connection shapes available	
	Connections		Speed Connect Joining System with Polarized electrical connection between sections	
	Compatible ceiling type		Suitable for gyprock (drywall) ceilings, metal pan, concrete, timber and T-bar grid ceilings	
	Mounting		Cable (Single or Y-Type), Rigid Stem, Ceiling Mount	
	Bend Radii - (Inches)		17R / 33R / 48R as standard with custom radii available	
	Mitre Bend Options		Lit corner 90° / Cross 90° / Tee 90° / Straight 180° (No unlit)	
	Endplate Options		Flat or optional curved end plates.	
	Operating temperatures		Standard (90+ CRI) = - 25° C to 35° C (-13° F to 95° F) Lower CRI (80+ CRI) = -25° C to 50° C (-13° F to 140°F)	
	Environment		Dry Indoor Application only - (IP20 rated)	
	Minimum length adjustment		Standard (90+) = 0.984" Lower CRI (80+) = 0.0394"	
	LED Board types		90+ CRI: Boards in 1.97" / 11.02" / 22.04" lengths. (Zhaga compatible) 80+ CRI: Boards in 0.98" / 3.94" / 22.04" lengths. (Zhaga compatible)	
	Configurations		Direct (Down only) / Indirect (Up only) / Indirect-Direct (Up/Down)	



A 7.50° arc =  
the industry's  
smallest arc  
adjustment

Removable gear-tray (\*down only)  
for quick and simple 'single person'  
installation  
(\*Note: Gear-tray and diffuser are not removable  
for 'UP' light)

The curved end plate option  
with 'magnetic snap'  
offers you a contemporary choice  
for your next project.

**Leak-free  
light system**

There are no light leaks  
in the usual places like  
end plates, diffuser  
expansion gaps, and  
at joints where two or  
more pieces are  
connected together.  
The light leak-free  
system ensures no  
light leaks by  
incorporating the  
Speed-Connect  
joining system along  
with innovative  
end plates.

Patented flat end plate is  
complete with 'magnetic  
snap' cover plate

'Speed-Connect'  
A fast, easy-to-assemble  
tool-less joining system  
that minimizes installation  
time, the need for additional  
skilled labor, and creates  
a light leak-free joint.

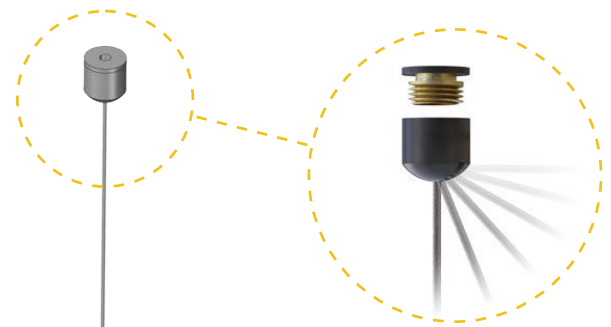
Removable Diffuser  
with magnetic retention  
location locks.

Soft wiring with quick-connect  
polarized plugs for easy interconnection  
of segments, making it the easiest curved  
profile on the market to install.

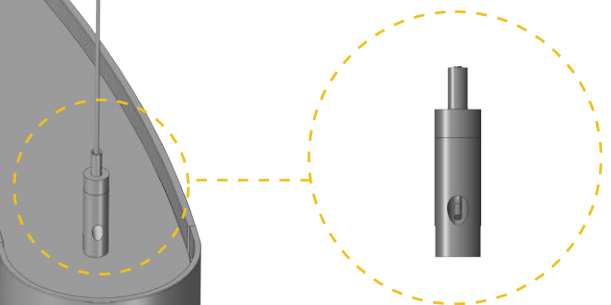
## LASSO BEAM - S3

### Fully Adjustable Cable/Rollerball Suspension

A smart suspension system that can be mounted on any ceiling, whether flat or sloped.



Custom rollerball cable barrel allows fixture to hang plumb, even on sloped surfaces.

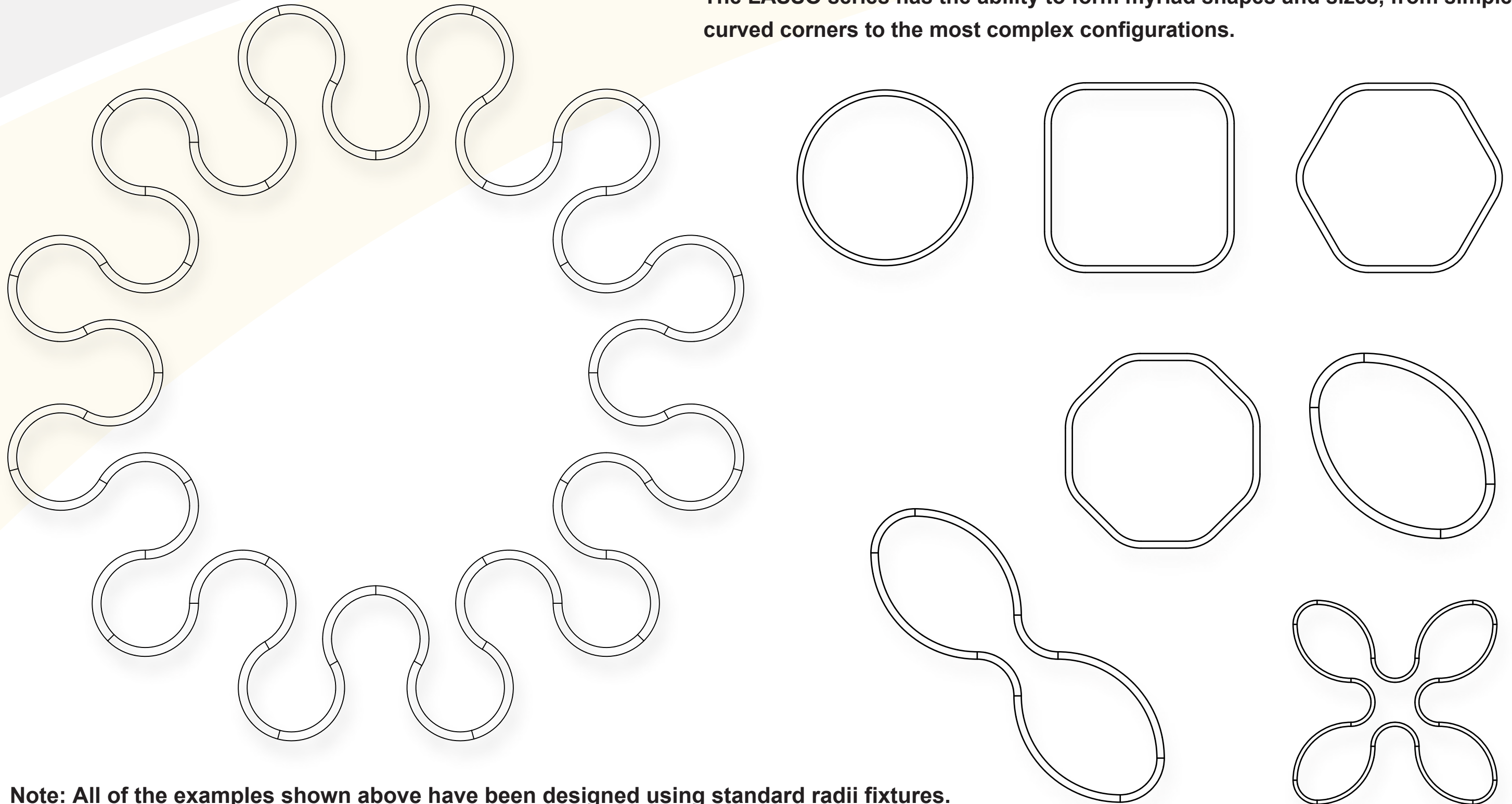


Adjustable cable barrel allows for suspension adjustment up or down.

## LASSO BEAM - S3

### Some examples of Shapes & Sizes

The LASSO series has the ability to form myriad shapes and sizes, from simple curved corners to the most complex configurations.



**Note: All of the examples shown above have been designed using standard radii fixtures.**